



LR056 Pressure
Transducer Display

Model LR056 Transducer Display

Pressure

Accurate, Miniature Displays for Point-of-Use Pressure Monitoring

Overview

Local display of process pressure improves safety and quality control of gas delivery systems. The LR056 allows a sensor to digitally display its pressure and send its signal to a final destination. The sensor, such as the Brooks® SolidSense II® pressure transducer, connects to the back of the LR056 with a 4-pin Bendix® connector. The LR056 connects to the loop through a pigtail cable and offers a real-time reading. The LR056 has two user-programmable setpoints that define a window; if the window is entered or left, an output signal is generated.

Product Features

- Local indication of process pressure measurement
- 4-digit LED display in durable metal enclosure
- Available to display pressure measurement in psia, psig, bar, kg/cm², or Mpa
- Setpoint indication and contact switching available
- Password protected
- CE (EN 61326) compliant
- Programmable via up and down switches
- Point-of-use monitoring
- Extremely accurate reading with outstanding noise immunity
- Low-power electronics
- Ease of use and installation

Applications

Gas delivery systems and tools including:

- Gas cabinets
- Gas panels
- Bulk gas

Product Specifications

Analog Signal	LR056
2-Wire System	4 - 20 mA
3-Wire System	0.05 - 5.05 V

Supply

2-Wire System	Supplied by current loop; voltage drop ≤ 6 V; $V_S = (V_{T_{min}} \dots V_{T_{max}}) + 6V_{DC}$ with V_T = supply of the used transmitter
3-Wire System	Display is supplied parallel with transmitter $V_{S_{min}} = 12 V_{DC} \dots V_{T_{min}}$; $V_{S_{max}} = V_{T_{max}} \dots 30 V_{DC}$ with V_T = supply of the used transmitter

Contact

Number, Type	Two independent optocoupler outputs
Max. Switching Type	$I_{max} = 50$ mA ($R_{min} = 450 \Omega @ 24 V_{DC}$) resistive load
Max. Switching Performance	$P_{max} = 200$ mW
Repeatability	$\leq \pm 0.1\%$ FSO
Switching Frequency	Max. 5 Hz
Switching Cycles	$> 100 \times 10^6$
Delay Time	0 - 100 sec

Electrical Protection

Short-circuit Protection	Permanent
Reverse Polarity Protection	No damage, but also no function
Electromagnetic Compatibility	Emission and immunity according to EN 61326

Mechanical Stability

Vibration	10 g RMS (20 - 2000 Hz)
Shock	100 g/11 msec

Materials

Display Housing	Aluminum, black anodized
-----------------	--------------------------

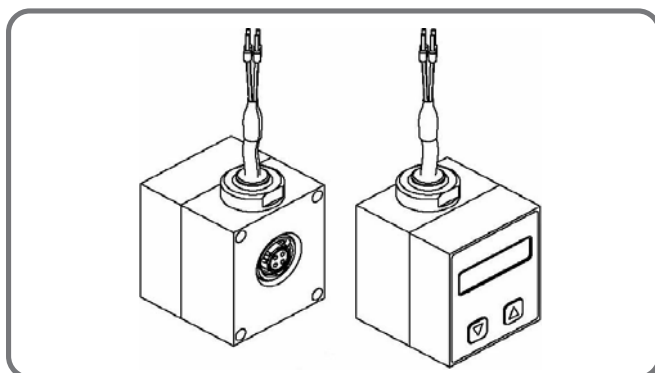
Display

Type	4-digit, red LED display, digit height 7 mm, digit width 4.85 mm (angle 10°)
Range	-1999 to +9999 (Automatic indication of minus for negative values)
Accuracy	0.1% \pm 1 digit
Temperature and Coefficient	0.01% FS/°C
Digital Damping	0.4 - 30 sec (programmable)
Measured Value Update	0.2 - 10 sec (programmable)

Miscellaneous

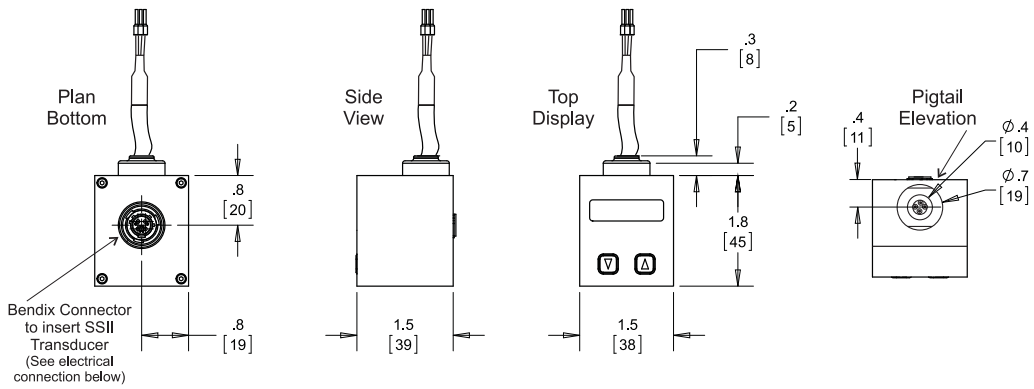
Permissible Temperature	Electronics: Environment: -25 - 85°C (-13 - 185°F); Storage: -40 - 85°C (-40 - 185°F)
Cable Length	Standard: 2 m
Weight	Approx. 200 g / .44 lbs
Data Memory	Non-volatile EEPROM

Product Design

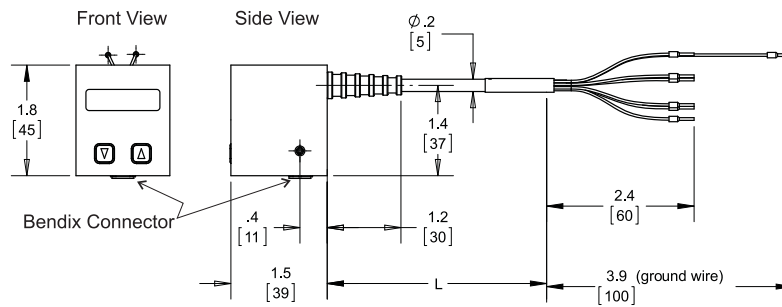


Product Dimensions

Top Display Orientation Versions

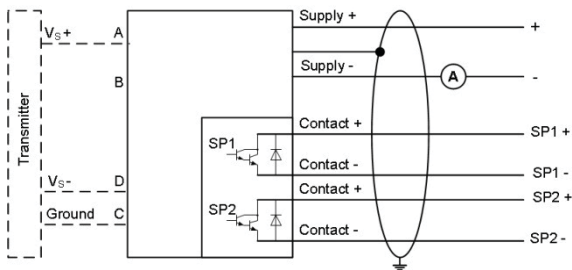


Side Display Orientation Versions

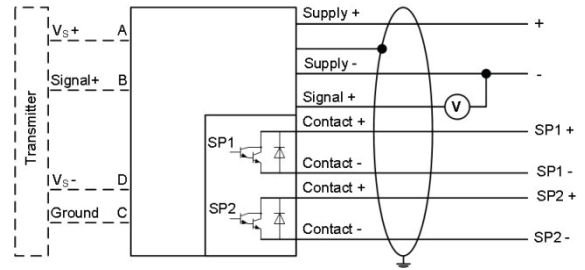


Wiring Diagrams

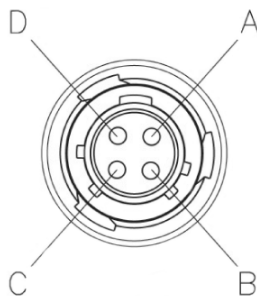
2-Wire System (Current)



3-Wire System (Voltage)



Electrical Connections



MIL- / Bendix - plug
PT06A8-4S

Pin Configurations

Sensor-Sided Input: MIL-/Bendix Connection (4-Pin)

Supply +	A
Supply -	D
Signal + (for 3-wire)	B
Ground	C

Cable-Sided Output: 6-Wire Cable (2-wire system), 7-wire cable (3-wire system), top mounted (cable colors DIN 47100)

Supply +	Red
Supply -	Black
Signal + (for 3-wire)	Green
SP 1 +	Blue
SP 2 +	Yellow
SP 1 -	White
SP 2 -	Brown
Ground	Yellow/Green (shield)

Model Code

Code Description	Code Option	Option Description
I. Base Model Number	LR056	Pressure Transducer Digital Display
II. Setpoint Configuration	0	None
	1	1
	2	2
III. Configuration	Z	By Customer
IV. Display Orientation	1	Top
	2	Side
V. External Connector	1	2 m pigtail
VI. Input	1	4 -20 mA
	2	0.05 - 5.0 V

Sample Standard Model Code

I	II	III	IV	V	VI
LR056	1	Z	1	1	1



www.gometrics.net
info@gometrics.net



Pol. Ind. Riera de Caldes
 c/ Basters, 17
 08184 Palau-Solità i Plegamans
 Barcelona
 T. +34 93 864 68 43

Brooks Service and Support

Brooks is committed to assuring all of our customers receive the ideal flow solution for their application, along with outstanding service and support to back it up. We operate first class repair facilities located around the world to provide rapid response and support. Each location utilizes primary standard calibration equipment to ensure accuracy and reliability for repairs and recalibration and is certified by our local Weights and Measures Authorities and traceable to the relevant International Standards.

Visit www.BrooksInstrument.com to locate the service location nearest to you.

START-UP SERVICE AND IN-SITU CALIBRATION

Brooks Instrument can provide start-up service prior to operation when required. For some process applications, where ISO-9001 Quality Certification is important, it is mandatory to verify and/or (re)calibrate the products periodically. In many cases this service can be provided under in-situ conditions, and the results will be traceable to the relevant international quality standards.

CUSTOMER SEMINARS AND TRAINING

Brooks Instrument can provide customer seminars and dedicated training to engineers, end users, and maintenance persons.
 Please contact your nearest sales representative for more details.

Due to Brooks Instrument's commitment to continuous improvement of our products, all specifications are subject to change without notice.

TRADEMARKS

Brooks Brooks Instrument, LLC
 All other trademarks are the property of their respective owners.



Global Headquarters

Brooks Instrument
 407 West Vine Street
 Hatfield, PA
 19440-0903 USA
 Toll-Free (USA): 888-554-FLOW
 T: 215-362-3500
 F: 215-362-3745
BrooksAM@BrooksInstrument.com

A list of all Brooks Instrument locations and contact details can be found at www.BrooksInstrument.com

